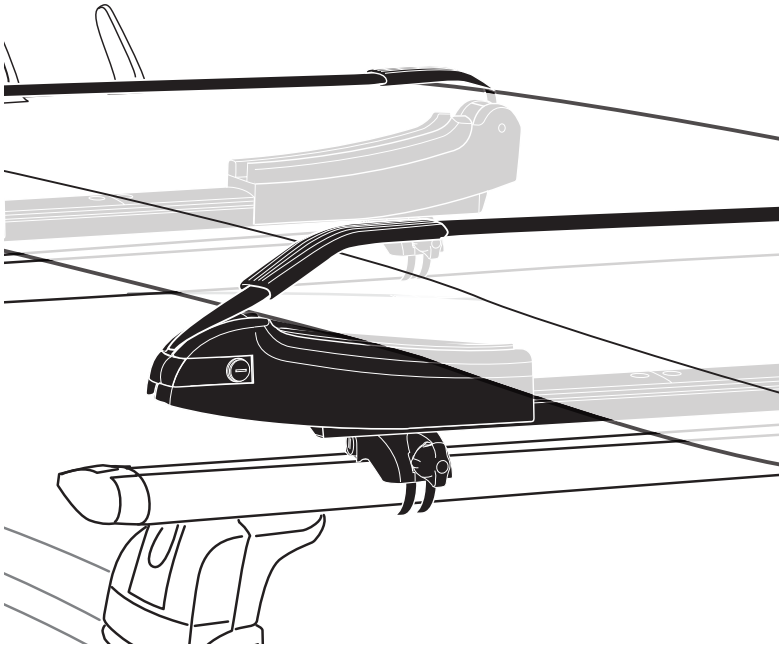
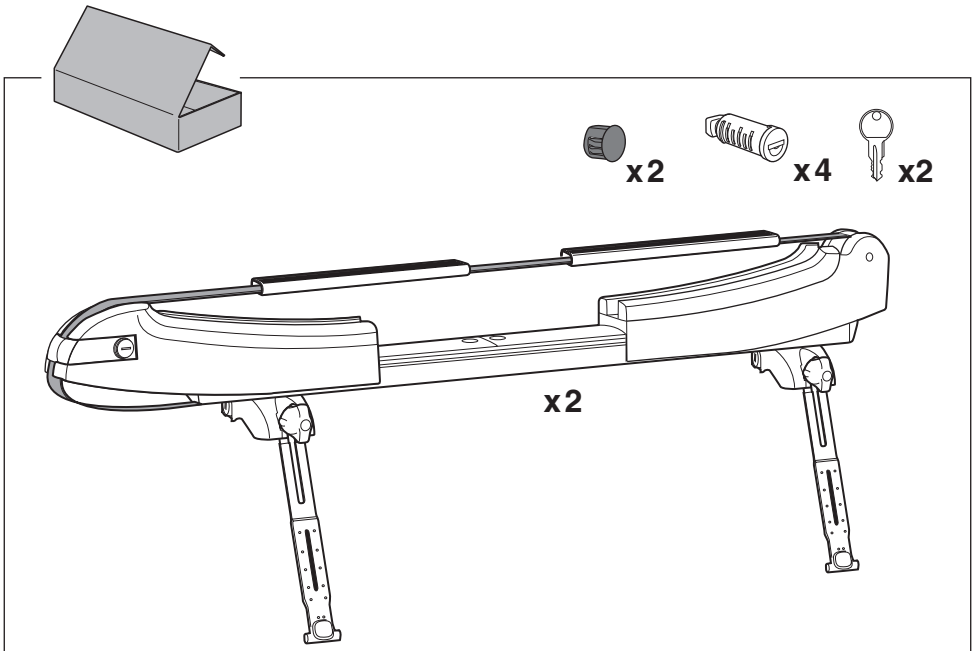
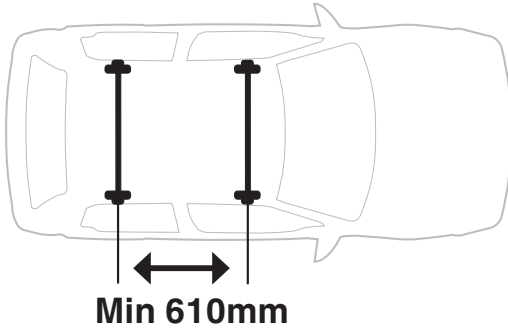
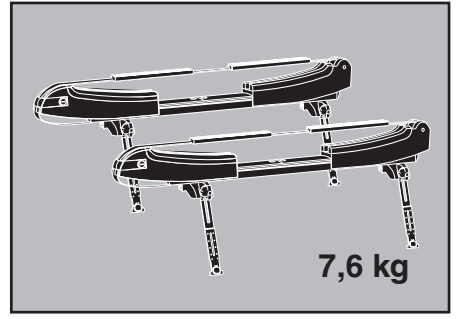
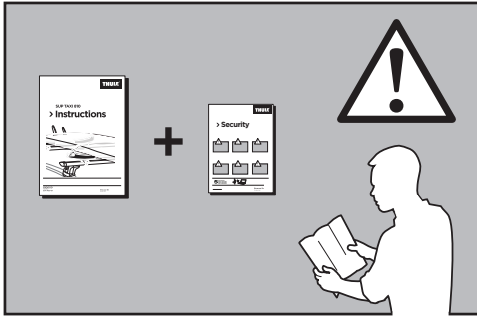
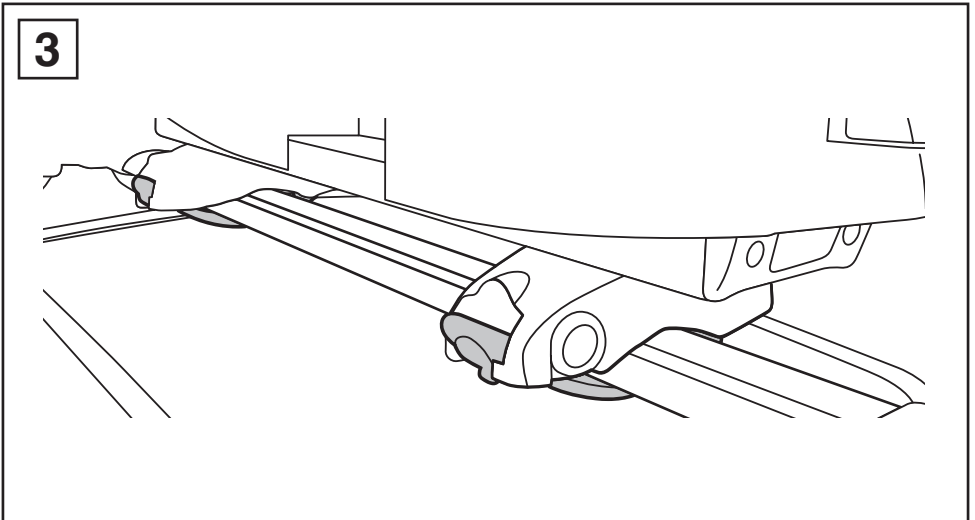
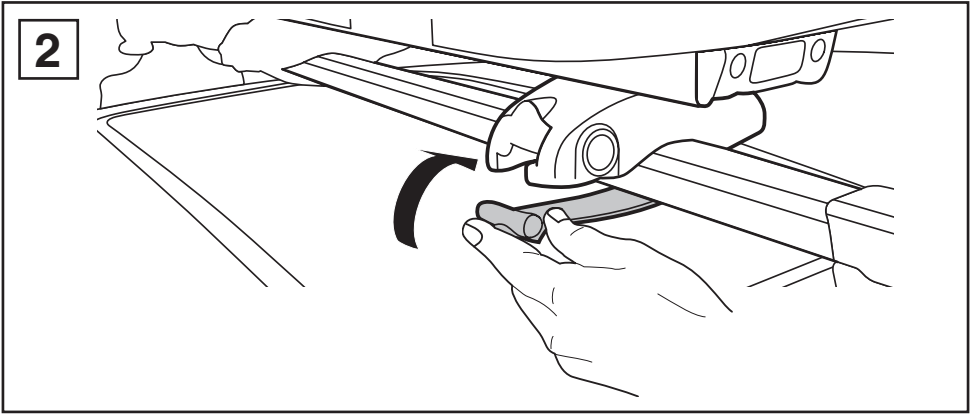
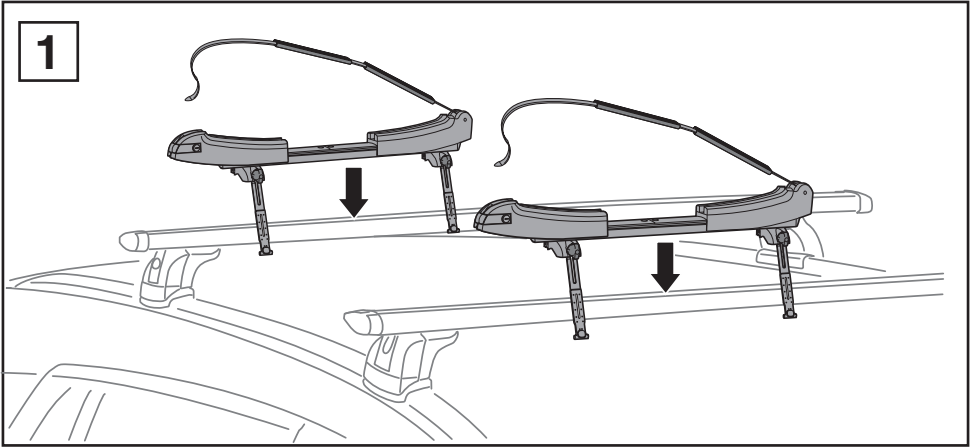


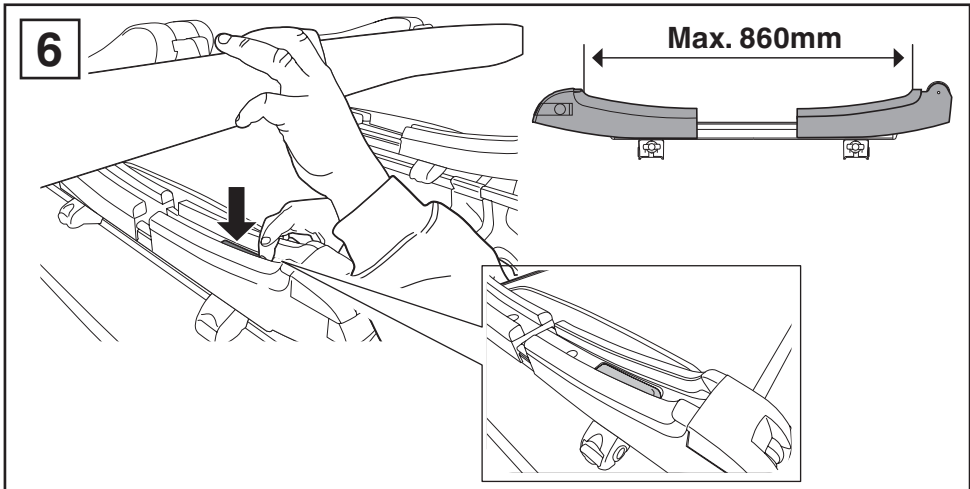
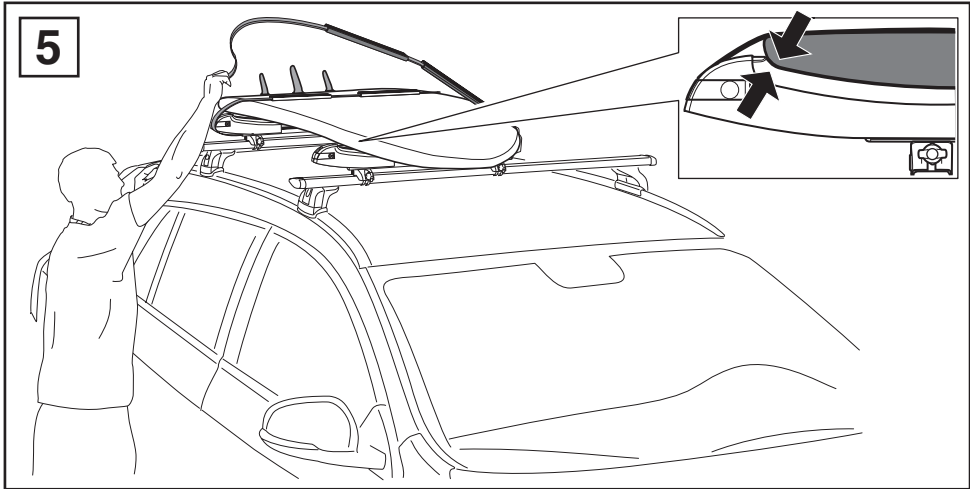
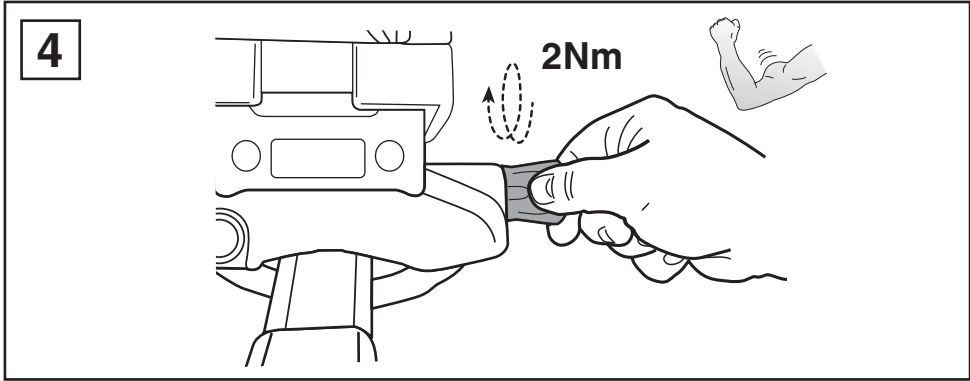
**SUP TAXI 810**

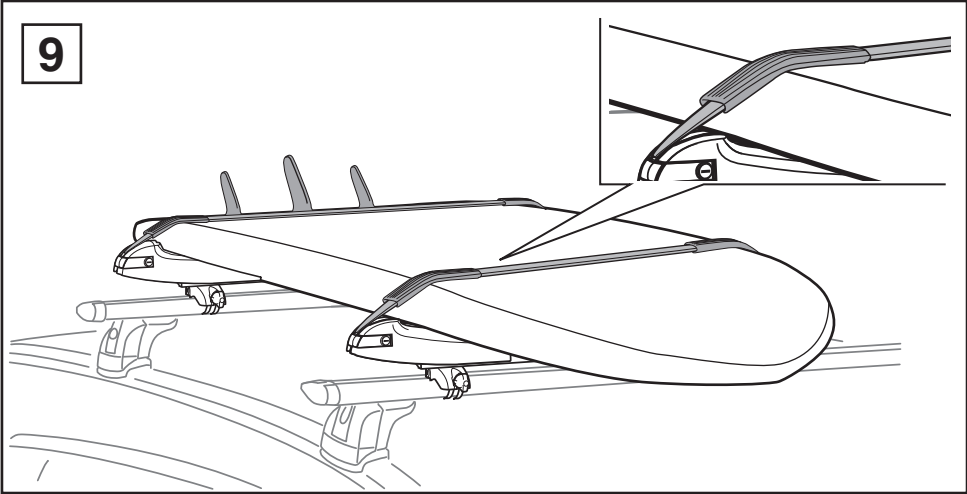
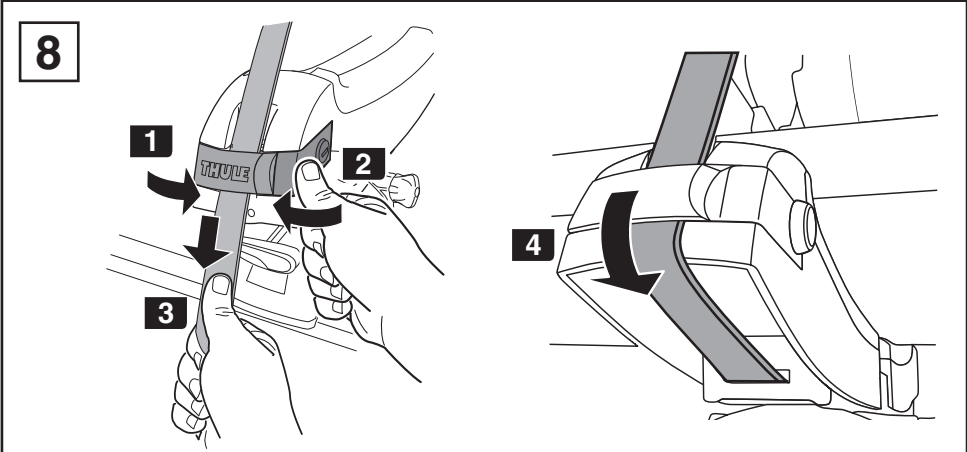
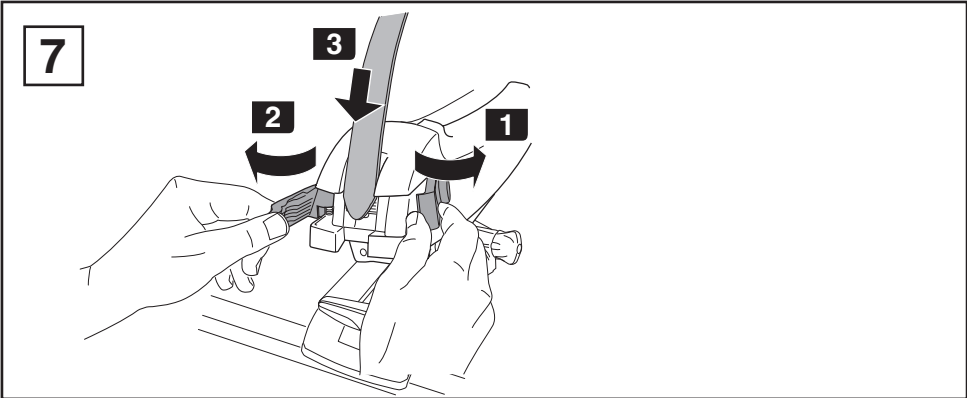
# ➤ **Instructions**











**10**



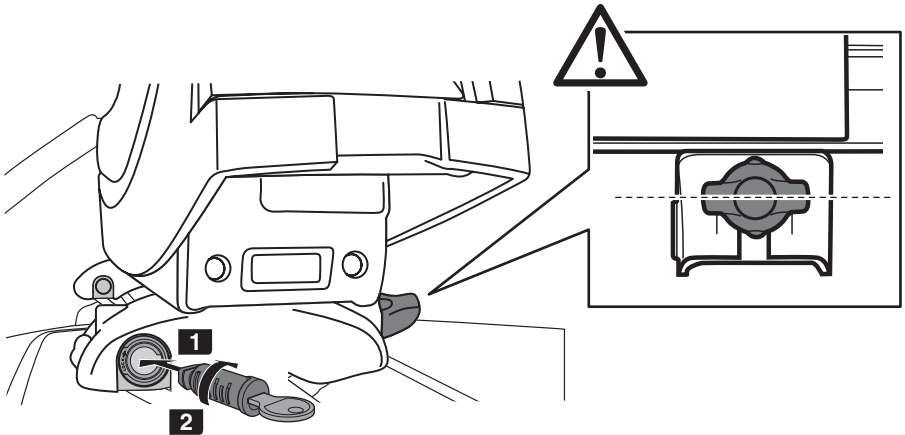
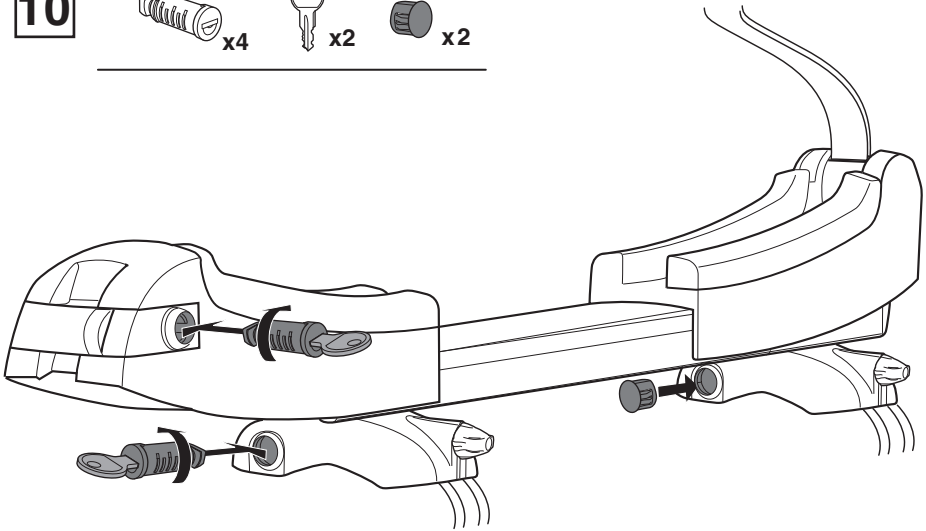
x4



x2



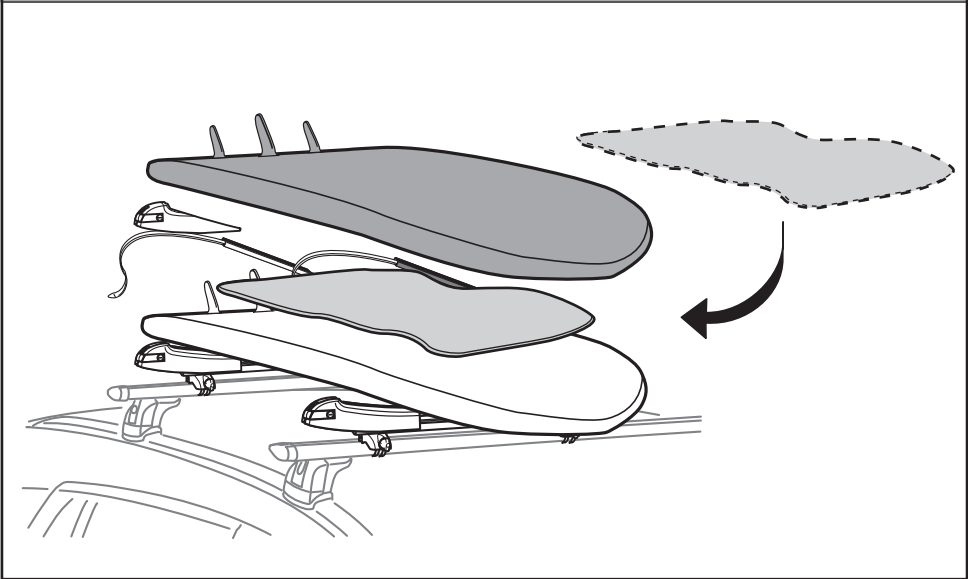
x2

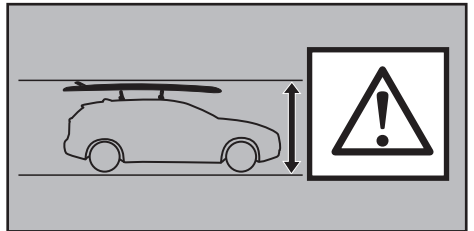
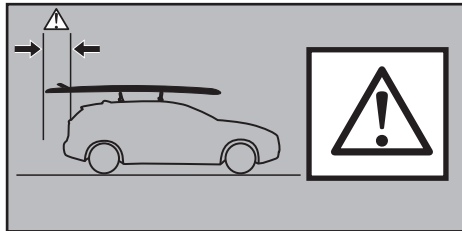
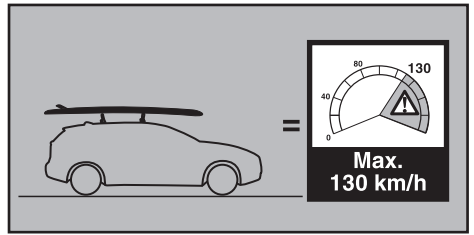
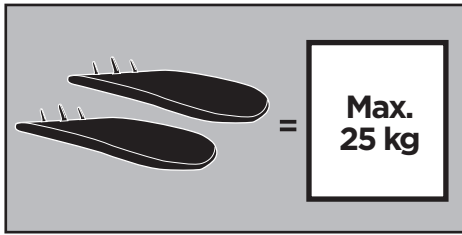


i



=





**One Key System**  
544, 596  
588, 452

**544** (x4)  
**596** (x6)  
**588** (x8)  
**EUR ASIA 452** (x12)